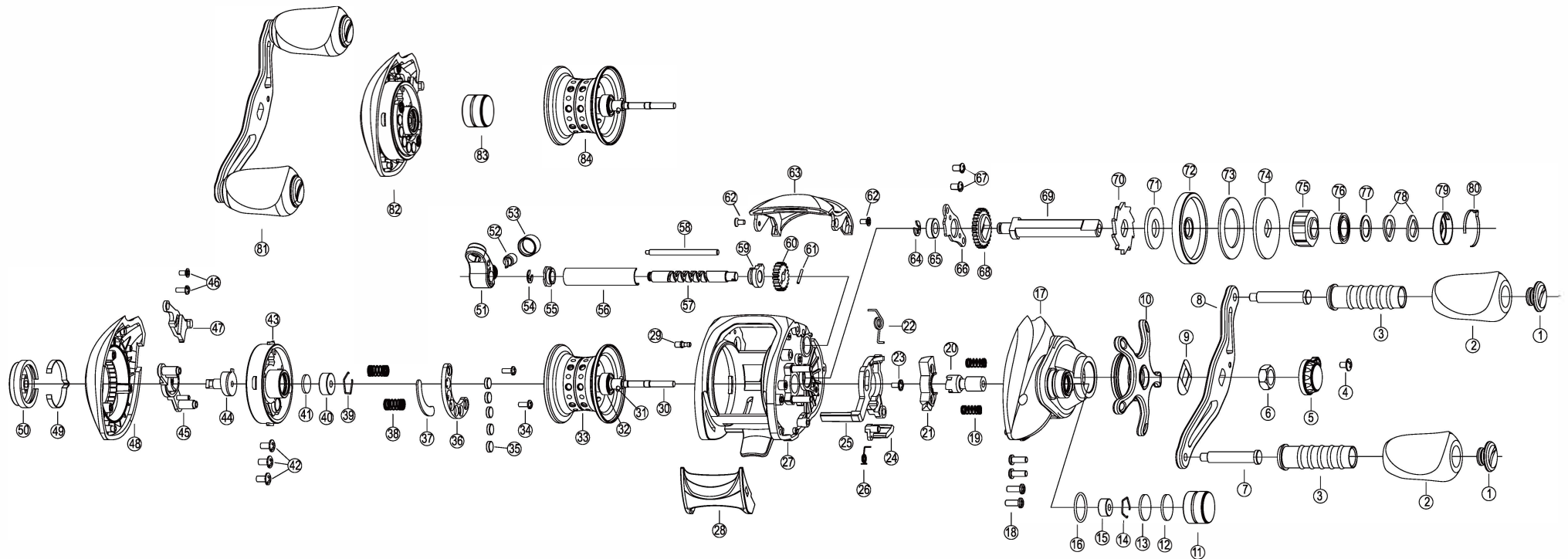


**CYBIRD**  
FUNEST 150DH

**CYBIRD**  
FUNEP1 150DH



1	handle knob cap	14	stoper holder	27	frame	40	bearing bush	53	pawl cap	66	stoper plate	79	click holder
2	handle knob	15	bearing bush	28	cluth lever	41	spool cover washer	54	e-ring	67	screw	80	click spring
3	handle knob insert	16	o-ring	29	left cover pin	42	screw	55	guide bushing- A	68	connect gear	81	handle assy
4	screw	17	right cover	30	spool shaft	43	spool cover	56	stabilizer bar	69	gear shaft	82	side cover assy
5	handle nut cover	18	screw	31	spool shaft pin	44	brake cam	57	carrigage screw	70	ratchet	83	tension knob assy
6	handle nut	19	cluth spring	32	ball bearing	45	brake cam plate	58	holder guide	71	ratchet washer	84	spool assy
7	handle rivet	20	pinion gear	33	spool	46	screw	59	guide bushing- B	72	drive gear		
8	crank	21	cluth	34	screw	47	key push lever	60	carrigage screw gear	73	drive washer A		
9	crank washer	22	cluth cam spring	35	magnet	48	left cover	61	carrigage screw pin	74	drive washer B		
10	star handle	23	screw	36	magnet holder	49	click spring	62	screw	75	one way ball bearing		
11	control cap	24	kick lever	37	magnet plate	50	brake control lever			76	ball bearing		
12	cushion rubber	25	cluth cam	38	spring	51	line guide holder	64	e-ring	77	washer		
13	brake washer	26	kick lever spring	39	stoper holder	52	return pawl	65	bearing bush	78	spring washer		